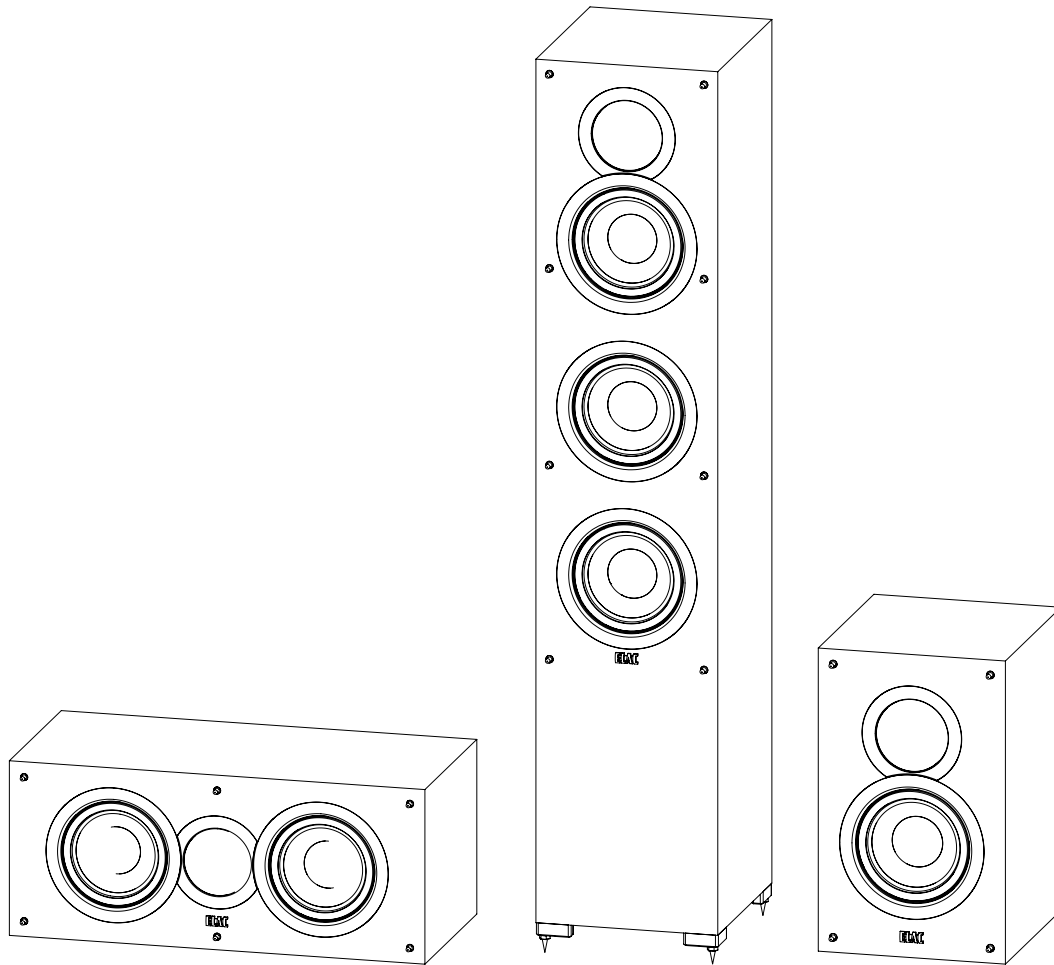


# ELAC DEBUT SERIES SPEAKERS



B4/B5/B6 BOOKSHELF SPEAKERS

F5/F6 FLOORSTANDING SPEAKERS

C5 CENTER CHANNEL SPEAKER

## OPERATING INSTRUCTIONS

# Safety Instructions

## 1. General information

- Please read and follow these safety instructions.
- Keep them safe for future reference.
- Observe all warnings on the speaker and in the manual. Please check the speaker for damage before use. The speaker must be in perfect working condition. Damaged parts may lead to personal injury.

## 2. Use only as directed

- Connect the speaker(s) according to the instructions in the manual.
- Many ELAC speakers are equipped with spikes and/or anti-slip feet. They are explicitly provided for levelling the speaker. For levelling on an uneven floor, unscrew the spikes or anti-slip feet by 2-3 turns of thread. The speaker should always be in perfect vertical alignment: the stability of the speaker must not be compromised by using spikes or anti-slip feet as the speaker may tip-over.

## 3. Location

- Install the speakers on a level surface only
- When choosing the location of these speakers do not place them in locations that are:
  - In direct sunlight
  - Very humid
  - Prone to vibrations
  - Exceptionally hot or cold
  - Near CRT Televisions (the speakers are not magnetically shielded and may cause color issues with a CRT based TV)
  - Close to magnetic cards (Since the speakers are not magnetically shielded placing magnetic cards such as credit cards or commuter cards may cause them to fail).

**WARNING!** Please ensure the product is perfectly stable to avoid injury from tip-over. Please note, that stability can be increased by using spikes on carpeted surfaces. However, the mounting of spikes must be carried out carefully due to their very sharp ends which may cause injuries. The stability on slippery floors can be increased by using Velcro fastening tape or double-sided adhesive tape. Do not install the speaker near any heat sources such as radiators, heating valves, stoves, or other apparatus (including amplifiers) that produce heat, or in areas where there is a risk of explosion.

- Do not block any ventilation openings. Install in accordance with the manufacturer's instructions.
- Do not install the speaker in a closed rack or in a closed cupboard.
- Do not put burning candles on or near the speaker.
- Do not install the speaker near transformers because electromagnetic stray fields can cause hum noise on woofers.
- In combination with certain materials / lacquers / material surfaces, anti-slip feet or spike washers may cause colored imprints on the surfaces.

#### 4. Overload

Extreme overload of the device due to very high volume may cause damage to individual components. Because of the possible danger, you should never leave loudspeakers under extreme overload conditions unattended.

#### 5. Service

**DANGER!** Do not open the cabinet because the components and conductors may carry current! Servicing to be carried out by qualified service personnel only.

Servicing is required when the loudspeaker has been damaged in any way, such as damage to the power supply cord or the plug, or when liquid has been spilled or objects have fallen onto the loudspeaker, the speaker has been exposed to rain or moisture, does not operate normally, or has been dropped. To reduce the risk of electric shock, do not open the loudspeaker. Servicing should be carried out by qualified service personnel only.

#### 6. Cleaning

**NOTE:** Clean only with soft, smooth cloth or with dust brush. Do not use scouring agents, alcohol, benzene, furniture polish or other agents for cleaning! Modern furniture is often coated with multiple varnishes and plastics which can be treated with chemical agents. Some of these agents contain substances which degrade or soften the rubber feet. Therefore we advise that you place an anti-slip mat underneath the loudspeaker(s).

#### 7. Volume

**CAUTION!** Continuous high volume may cause severe damage to your hearing. Please listen responsibly.

#### 8. Disposal

The packaging is made from recyclable materials. Dispose of this in an environmentally friendly manner. At end of life do not dispose of the speaker(s) with standard household waste. The speaker must be recycled in accordance with local legislation. Ask your local government for further information on recycling as the device contains valuable raw materials. Disable the speaker(s) before disposal.

# Philosophy

Thank you for purchasing this ELAC product.

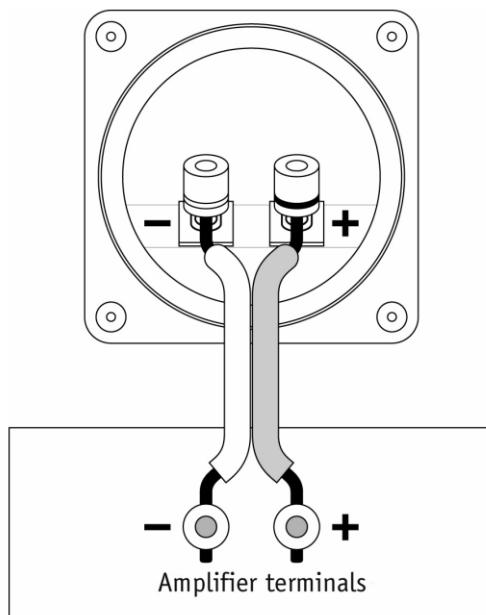
Since the time we started (1926), ELAC has always striven to achieve the very best.

Your new ELAC speakers are built to the highest standards using high-quality components that are carefully constructed to deliver the best-in-class sound quality. They are developed by a passionate group of individuals whose soul purpose is to bring a new dimension of sound quality into your home. Enjoy!

## Before Use

Avoid damage to the speakers and other components:

- Carefully unbox the speakers carefully to avoid physically damaging your speakers.
- Use appropriate gauge wires (minimum of 18 gauge wire for runs up to 25 feet).
- Make sure wire polarity is connected correctly. Most speaker cables are coded for ease of use. Make sure positive (red) connection on the amplifier terminal is connected to the positive (red) on your speakers. Follow the same instructions for the negative side. Strip off approximately 1/2" of the insulation from the ends of the speaker cable, twist the bare strands and insert into the binding post.
- Ensure your equipment is turned off before connecting speakers.
- Check to ensure positive and negative wires are not touching each other once they're connected to the speaker terminals.



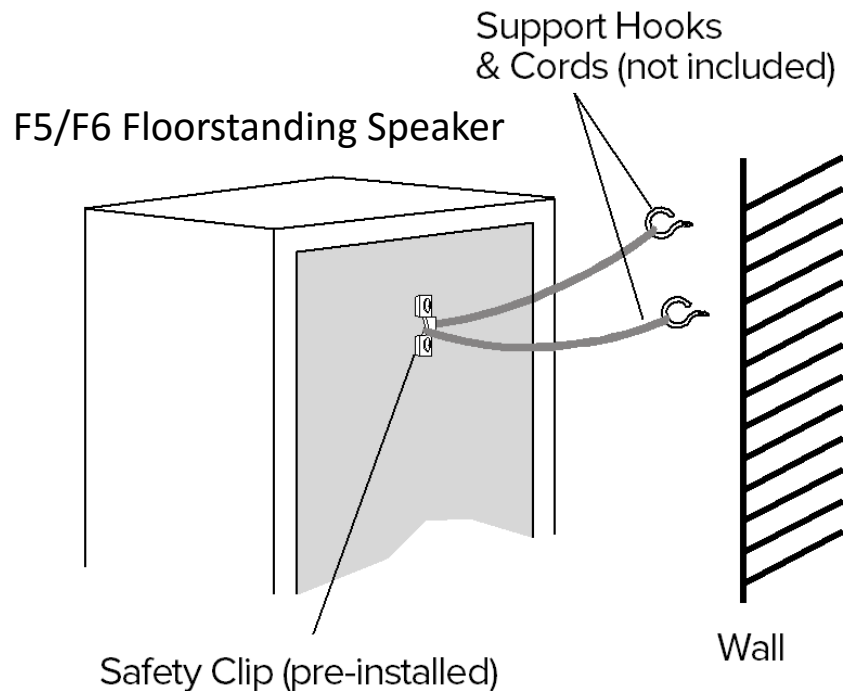
## Installing and Removing the Grills

The mesh grills of your Debut speakers are designed to be removable if desired. To remove it, hold the top or bottom edges of the grill close to the mounting points and pull gently. To replace the grill, align the pegs on the speaker with the holes on the grill and press in gently.

### IMPORTANT!

#### ELAC F5/F6 Floorstanding Speakers Safety Clip

The ELAC F5 and F6 Floorstanding speakers include a safety clip pre-installed on the back of the cabinet for securing to a wall to prevent tip-over. Use support hooks (not included) screwed into a wall and pass appropriate size cord (not included) around the hook and through the safety clip. Test to ensure mounted hooks and cord will prevent tipping of the speaker.

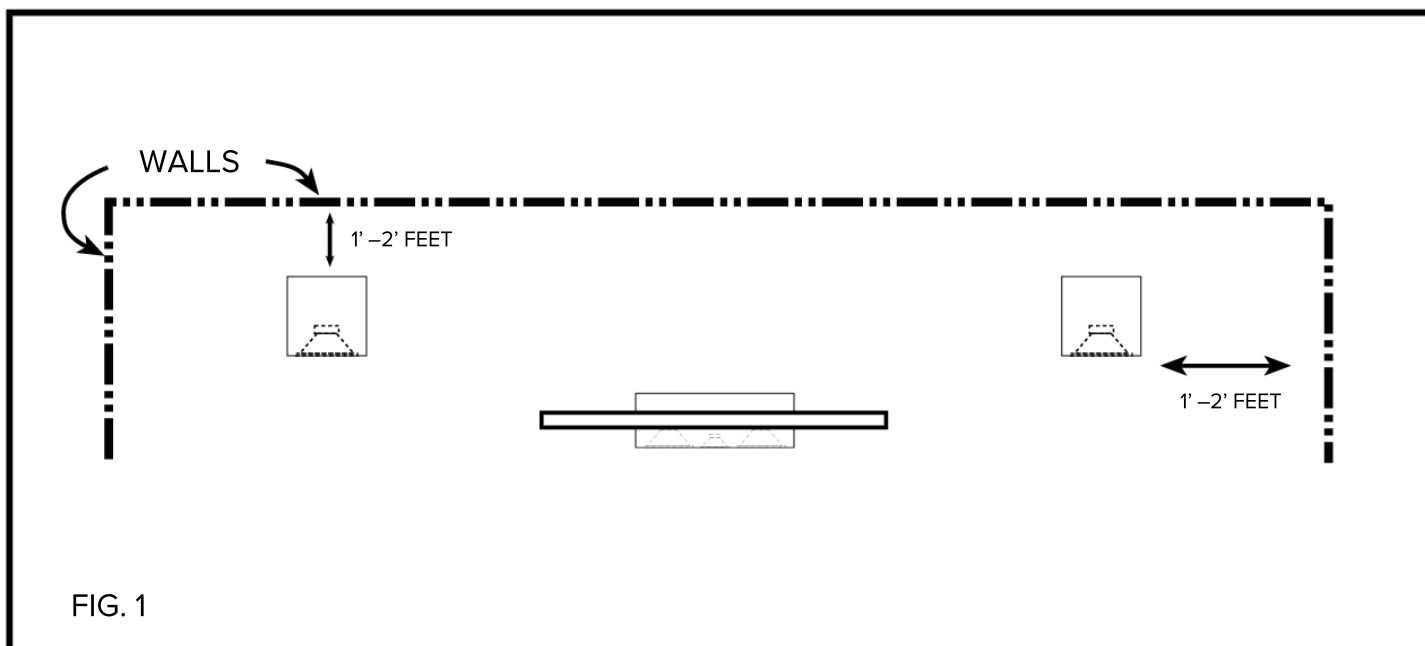


### CAUTION:

The safety clip is not a mounting fixture and the speaker should not be hung on the wall using the clip. ELAC does not claim responsibility for damage resulting from improper assembly, installation, insufficient strength of the installation materials, misuse, or natural disasters.

# Speaker Placement

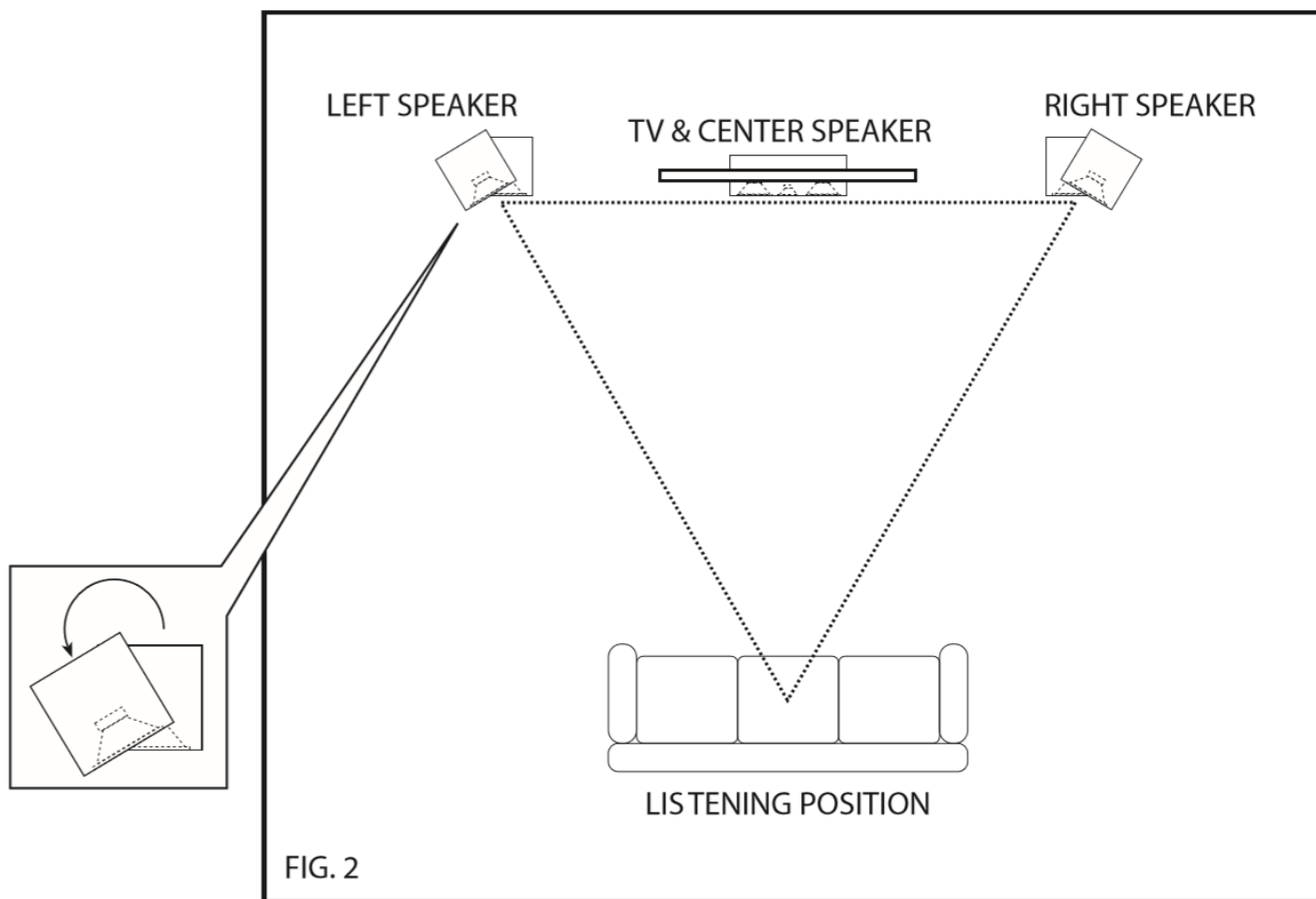
Achieve maximum performance and optimal sound quality from your ELAC Debut speakers with proper speaker placement and set-up. While not all rooms are the same, use the following guidelines to configure the speakers for your particular room. There are no “exact” rules or boundaries in setting up your speakers but the following suggestions will help optimize your desired results. Remember the best sound set-up is what sounds best for you so don’t be afraid to experiment and make adjustments to the placement and directivity of the speakers.



Place the speakers approximately one to two feet away (fig. 1) from boundaries such as wall(s) and especially corners. Close proximity to a side or rear wall will enhance bass performance (output), but being too close (particularly to a corner) may result in bass that is unnatural. If a corner location is unavoidable, try to position the loudspeaker so that the distance to the rear wall is not equal to the distance to the side wall.

# Stereo Setup

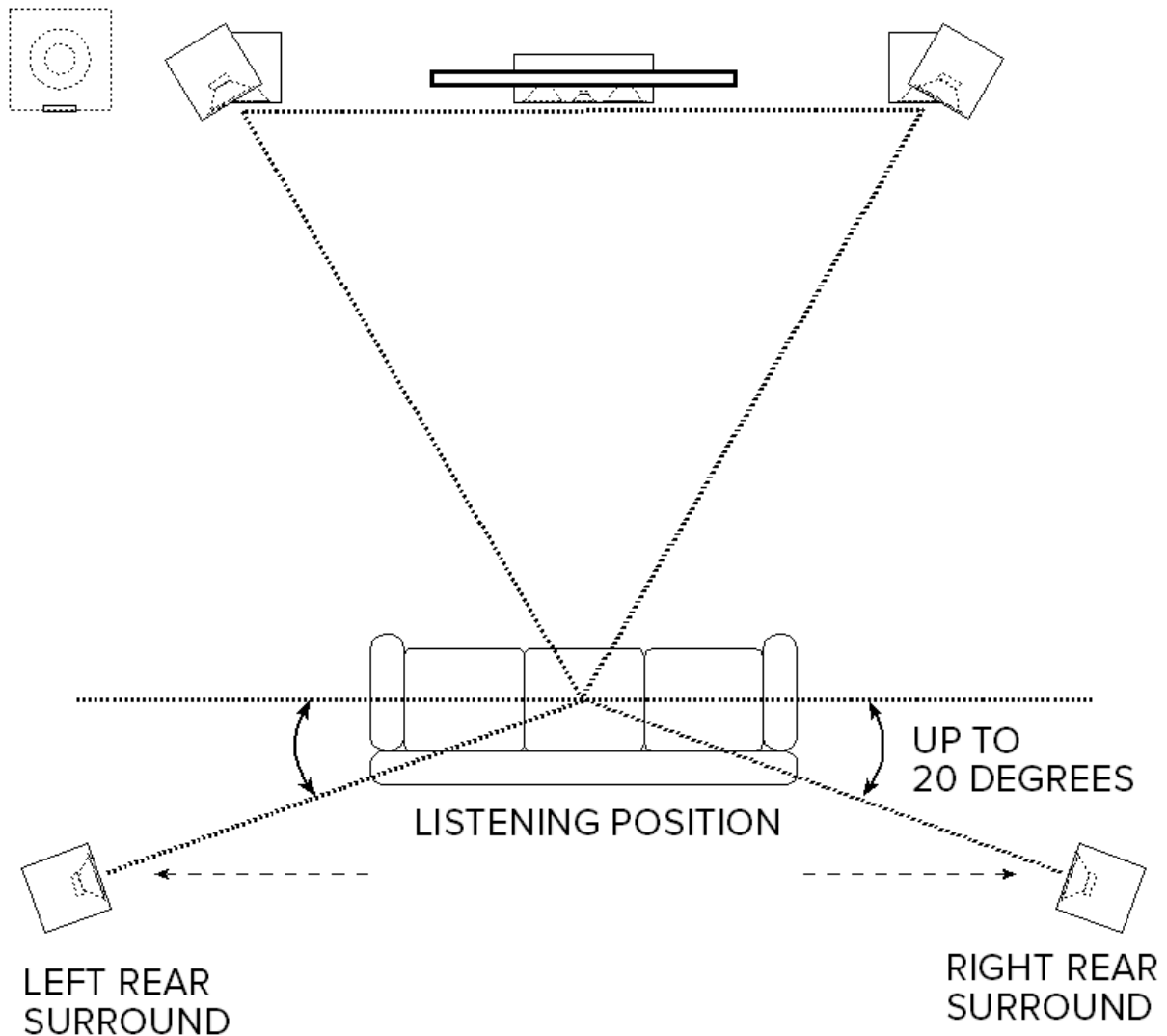
- For the best results and the most realistic stereo image and lifelike sound, place the speakers so that an equilateral triangle (fig. 2) is created between the speakers and your favorite listening position. This set up creates the optimum imaging performance.
- If you find that your B4/B5/B6 or F5/F6 left and right speakers are too far apart, angle (toe in) them towards the listening position to gain a more focused central image .



2-CHANNEL STEREO SETUP

# Surround Sound Setup

Whether you use the B4/B5/B6 bookshelf or the F5/F6 floorstanding speakers for a 5.1-channel surround set-up, avoid placing the surround speakers forward of your listening position. The surround speakers should be spread apart wider than the front speakers. In addition, elevate the speakers to the same height or slightly higher as the front speakers for the most enveloping sound field. Like the front speakers, you may need to experiment with the positioning by pointing the rear surround speakers towards the listening area.

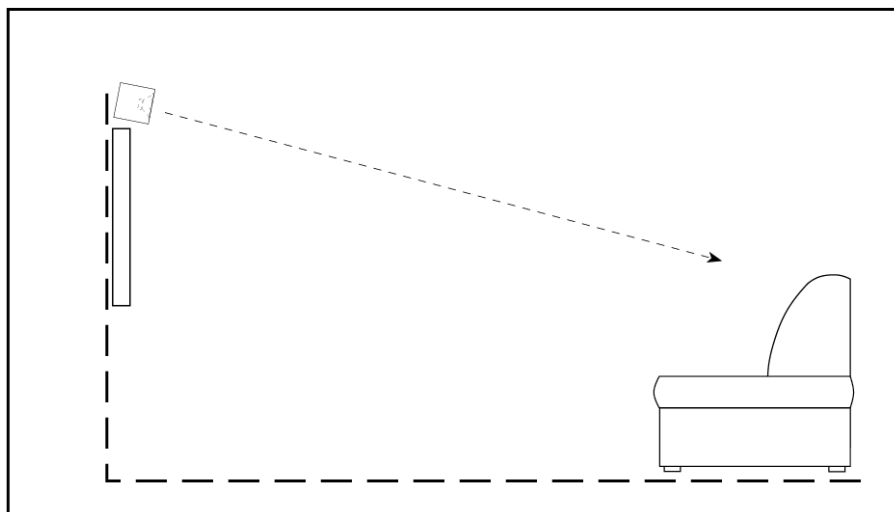
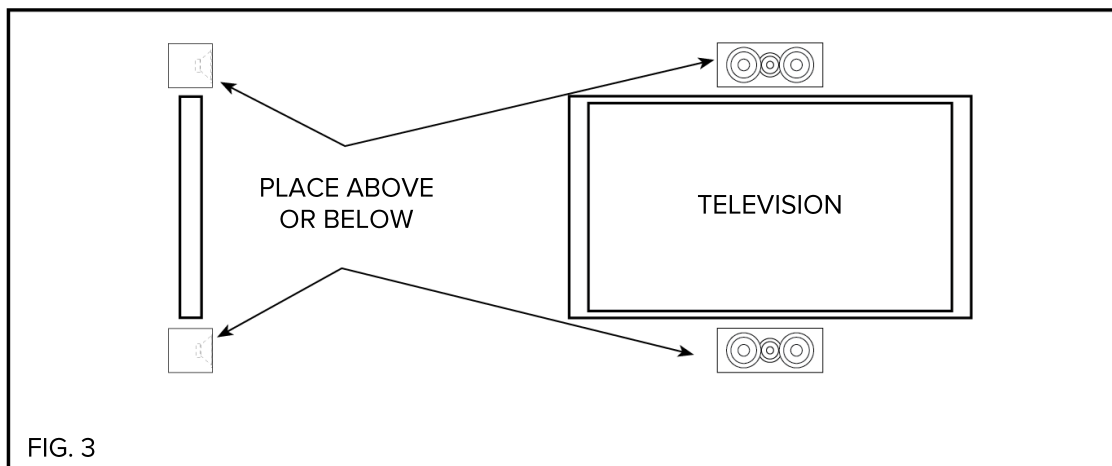


5.1-CHANNEL SURROUND SET-UP



# Center Speaker Setup

The ELAC C5 center channel is designed to produce dialog sounds and should be positioned above or below (fig. 3) your television. Align it with the center of the television. As much as possible, try to keep the C5 close to the same level (height) as your front speakers for a more even sound stage. Keeping the same height for the center channel can be very challenging so it might be necessary to tilt the center speaker up (if too low) or down (if too high), to aim it towards the listening area.



Optimal results for the center are obtained by setting the receiver/processor center channel size to small. If you have a choice, set the crossover frequency between 50 to 100Hz.

# SPECIFICATIONS

	B5	B6	F5	F6	C5
Enclosure Type	2-Way Bass Reflex	2-Way Bass Reflex	3 - Way Bass Reflex	3- Way Bass Reflex	2-Way Bass Reflex
Frequency Response	46Hz - 20000Hz	44Hz - 20000Hz	42Hz - 20000hz	39Hz-20000Hz	48Hz - 20000Hz
Nominal Impedance	6 Ohms	6 Ohms	6 Ohms	6 Ohms	6 Ohms
Sensitivity	85db @ 2.83v/1m	87db @ 2.83v/1m	86db @ 2.83v/1m	85db @ 2.8mv/1m	87db @ 2.83v/1m
Crossover Frequency	3000Hz	3000Hz	100Hz/3000Hz	100Hz/3000Hz	3000Hz
Max Power Input	120 Watts	120 Watts	140 Watts	150 Watts	120 Watts
Tweeter	1" Cloth Dome	1" Cloth Dome	1" Cloth Dome	1" Cloth Dome	1" Cloth Dome
Woofer	5.25 Inch Aramid Fiber	6.5 Inch Aramid Fiber	3 x 5.25 Inch Aramid Fiber	3 x 6.5" Inch Aramid Fiber	2 x 5.25 Inch Aramid Fiber
Cabinet	CARB2 Rated MDF	CARB2 Rated MDF	CARB2 Rated MDF	CARB2 Rated MDF	CARB2 Rated MDF
Cabinet Finish	Black Brushed Vinyl	Black Brushed Vinyl	Black Brushed Vinyl	Black Brushed Vinyl	Black Brushed Vinyl
Port	Dual Flared	Dual Flared	3 x Dual Flared	3 x Dual Flared	Dual Flared
Binding Posts	5-Way Metal	5-Way Metal	5-Way Metal	5-Way Metal	5-Way Metal
Dimensions (WxHxD)	7.87" x 12.75" x 8.75"	8.5" x 14" x 10"	7.87" x 38" x 8.75"	8.5" x 45 11/16" x 10"	18.75" x 7.87" x 8.75"

	B4
Enclosure Type	2-Way Bass Reflex
Frequency Response	48Hz - 20000Hz
Nominal Impedance	6 Ohms
Sensitivity	84.5db @ 2.83v/1m
Crossover Frequency	2500Hz
Max Power Input	80 Watts
Tweeter	1" Cloth Dome
Woofer	4 Inch Aramid Fiber
Cabinet	CARB2 Rated MDF
Cabinet Finish	Black Brushed Vinyl
Port	Dual Flared
Binding Posts	5-Way Metal
Dimensions (WxHxD)	7" x 11.5" x 8.5"

**ELAC Americas LLC.**  
**North America Limited Liability Warranty**  
**Passive Speakers (No Built-in Amplifier)**

ELAC Americas LLC. warrants to the original purchaser that this product be free from defects and or workmanship for a period of 3 (Three) years from the original date of purchase. During this time period, repair or replacement of parts will be free of charge to the original owner (See below limitations). Shipping to and return from the repair center will be the responsibility of the original purchaser.

**Limitations**

- Warranty begins on the date of original purchase from an authorized ELAC Americas LLC dealer.
- Product is warranted only if used in home applications within the max power rating specified in this manual. Commercial use of this product is not warranted.
- Product that has been modified or altered in anyway will not be warranted.
- Product that has been abused or subjected to faulty equipment will not be warranted.
- Products with defaced or removed serial numbers will not be warranted.

**If service is required**

In the event that service is required, please contact ELAC America at 714-252-8843 or at [service@elac.com](mailto:service@elac.com) to arrange for service or replacement. You will be responsible to provide proof of purchase (Copy or original sales receipt). Shipping to and from our repair center will be the responsibility of the original purchaser.

**Warranty Outside of North America**

This warranty applies to products purchased in the United States and Canada. For warranty claims outside of North America please contact the local dealer/distributor in the country of purchase.

**ELAC** The life of sound.

ELAC AMERICAS LLC.  
11145 KNOTT AVE. SUITES E & F  
CYPRESS, CA. 90630